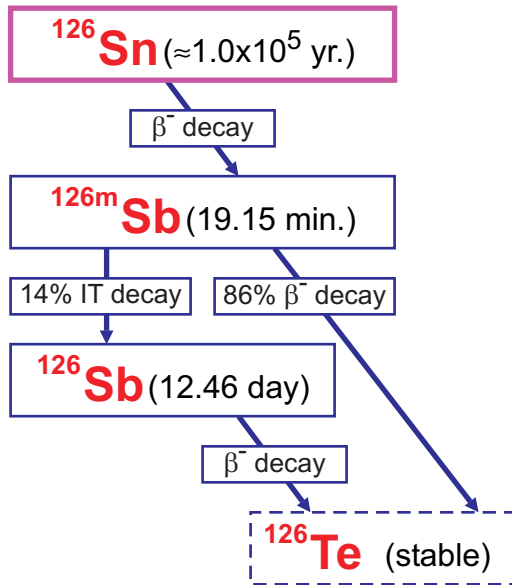
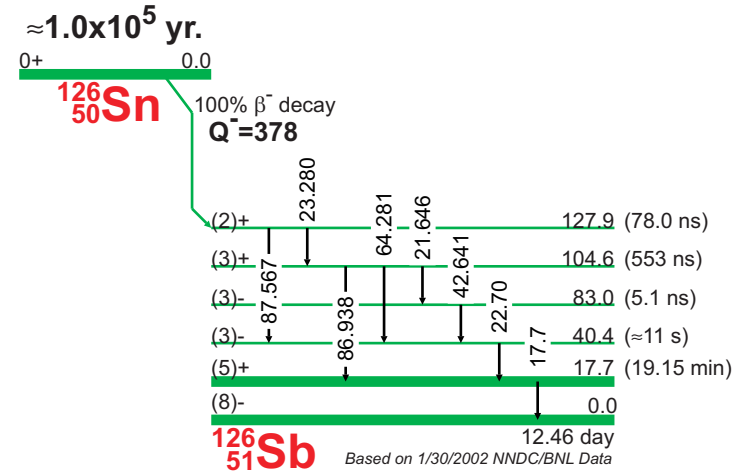


Simplified Decay Chain



¹²⁶Sn (≈1.0x10⁵ yr.) Decay Scheme



GAMMA-RAY ENERGIES AND INTENSITIES

Nuclide: ¹²⁶Sn Half Life: 100,000(≈) yr.

E _γ (keV)	σ E _γ	① I _γ	② σ I _γ	Level	β ⁻
17.7	0.3	0.000 044		17.7	β ⁻
21.646	0.010	1.3	0.1	104.6	β ⁻
22.70	0.07	0.10	0.01	40.4	β ⁻
23.280	0.010	6.4	0.6	127.9	β ⁻
42.641	0.010	0.50	0.05	83	β ⁻
64.281	0.010	9.6	1.1	104.6	β ⁻
86.938	0.010	8.9	0.9	104.6	β ⁻
87.567	0.010	37		127.9	β ⁻

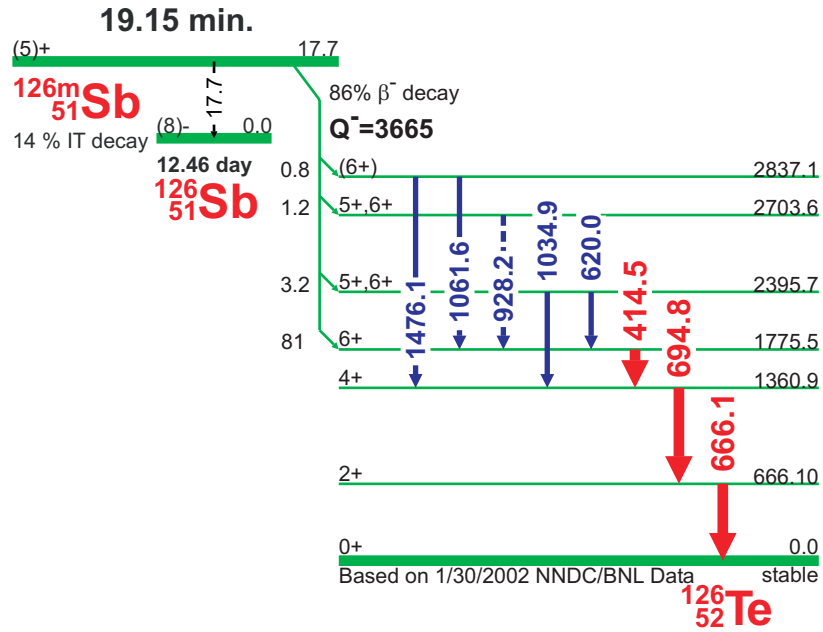
E_γ, σE_γ, I_γ, σI_γ, Levels from ENSDF Database as of January 30, 2002

① These I_γ are per 100 Decays of ¹²⁶Sn.

② For total uncertainty add 10.8% systematic component in quadrature, based on the normalization factor 0.37(4)



^{126m}Sb (19.15 min.) Decay Scheme



GAMMA-RAY ENERGIES AND INTENSITIES

Nuclide: ^{126m}Sb

Half Life: 19.15(8) min.

E _γ (keV)	σ E _γ	① I _γ	② σ I _γ	Level	
17.7	0.3	0.000 045 5	0.000 001 4	17.7	IT
414.5	0.2	86	4	1,775.5	β ⁻
620.0	0.2	1.5	0.2	2,395.7	β ⁻
666.1	0.2	86		666.1	β ⁻
694.8	0.3	83	4	1,360.9	β ⁻
928.2	0.3	1.3	0.3	2,703.6	β ⁻
1,034.9	0.2	1.8	0.2	2,395.7	β ⁻
1,061.6	0.4	0.5	0.1	2,837.1	β ⁻
1,476.1	0.6	0.3	0.1	2,837.1	β ⁻

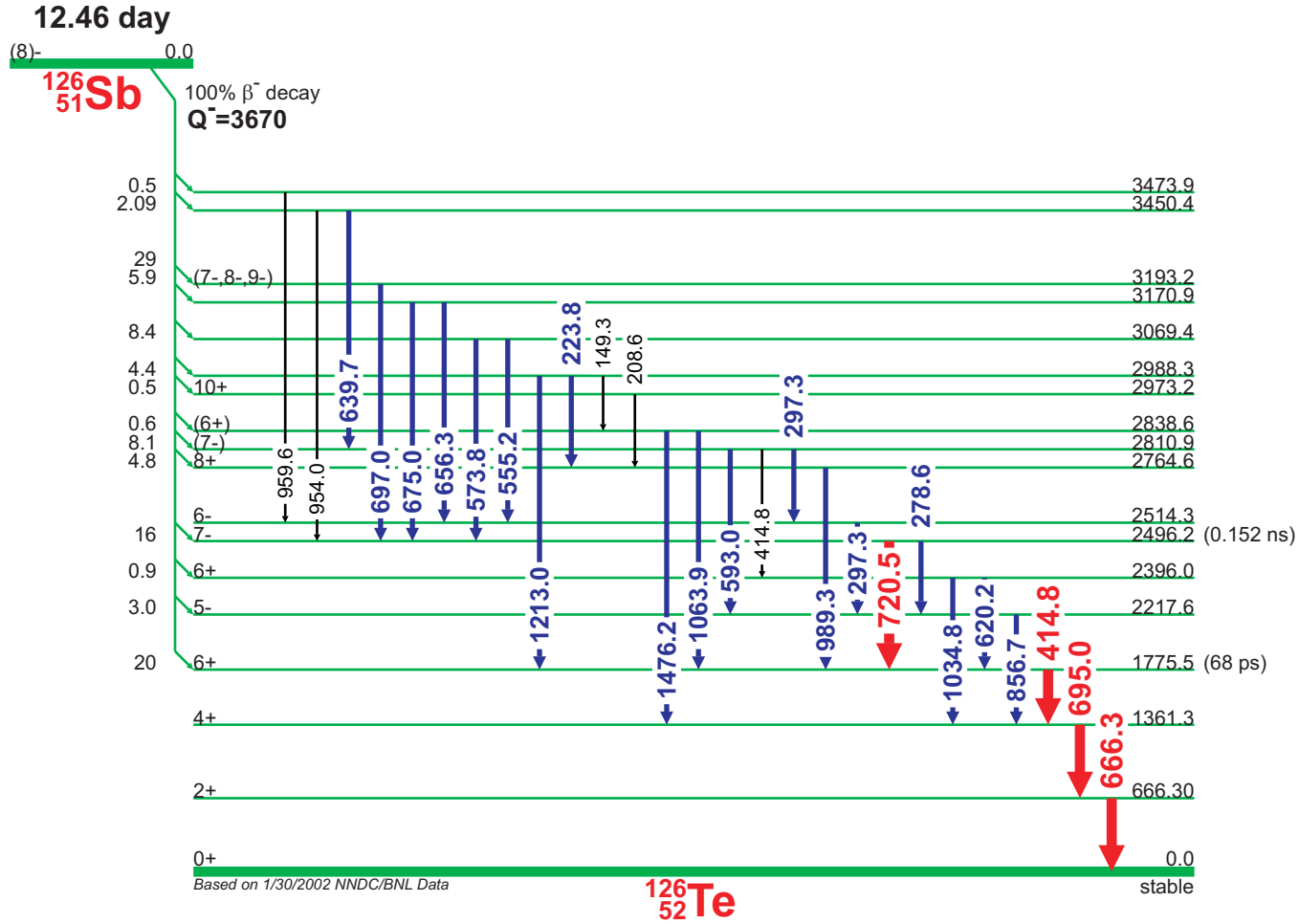
E_γ, σE_γ, I_γ, σI_γ, Levels from ENSDF Database as of January 30, 2002

① These I_γ are per 100 Decays of ¹²⁶Sb.

② For IT decay total uncertainty add 28.6% systematic component in quadrature, based on the normalization factor 0.14(4). For β⁻ decay total uncertainty add 4.6% systematic component in quadrature, based on the normalization factor 0.86(4).



¹²⁶Sb (12.46 day) Decay Scheme



GAMMA-RAY ENERGIES AND INTENSITIES

Nuclide: **¹²⁶Sb**E_γ, σE_γ, I_γ, σI_γ, Levels- from ENSDF Database as of January 30, 2002

Half Life: 12.46(3) day

E _γ (keV)	σ E _γ	^① I _γ	^② σ I _γ	Level	
149.3	0.2	0.4	0.2	2,988.3	β-
208.6	0.8	0.5	0.2	2,973.2	β-
223.8	0.2	1.4	0.1	2,988.3	β-
278.6	0.2	2.4	0.6	2,496.2	β-
297.3	0.2	4.5	0.4	2,514.3	β-
297.3	0.2	0.5	0.2	2,810.9	β-
363.5	0.9	0.27	0.05		β-
386.3	0.9	0.20	0.05		β-
414.8	0.2	83.6	2.1	1,775.5	β-
414.8	0.2	1.0	0.3	2,810.9	β-
555.2	0.2	1.7	0.2	3,069.4	β-
573.8	0.2	6.7	0.3	3,069.4	β-
593.0	0.2	7.5	0.4	2,810.9	β-
605.4	0.2	1.4			β-
620.2	0.2	0.9	0.1	2,396.0	β-
639.7	0.2	0.9	0.1	3,450.4	β-

E _γ (keV)	σ E _γ	^① I _γ	^② σ I _γ	Level	
646.0	0.2	1			β-
656.3	0.2	2.2	0.1	3,170.9	β-
666.3	0.2	100		666.30	β-
675.0	0.2	3.7	1.0	3,170.9	β-
695.0	0.2	100		1,361.3	β-
697.0	0.2	29	7	3,193.2	β-
720.5	0.2	54.0	2.4	2,496.2	β-
730.9	0.2	0.6			β-
856.7	0.2	17.6	0.9	2,217.6	β-
954.0	0.2	1.2	0.1	3,450.4	β-
959.6	0.2	0.5	0.1	3,473.9	β-
989.3	0.2	6.8	0.3	2,764.6	β-
1,034.8	0.2	1.00	0.05	2,396.0	β-
1,063.9	0.2	0.9	0.6	2,838.6	β-
1,213.0	0.2	2.4	0.2	2,988.3	β-
1,476.2	0.2	0.28	0.03	2,838.6	β-

① These I_γ are per 100 Decays of ¹²⁶Sb. For ^{126m}Sb parent, multiply these values by 0.14

② For total uncertainty add systematic component of 0.1% in quadrature, based on the normalization factor 0.996(1)

